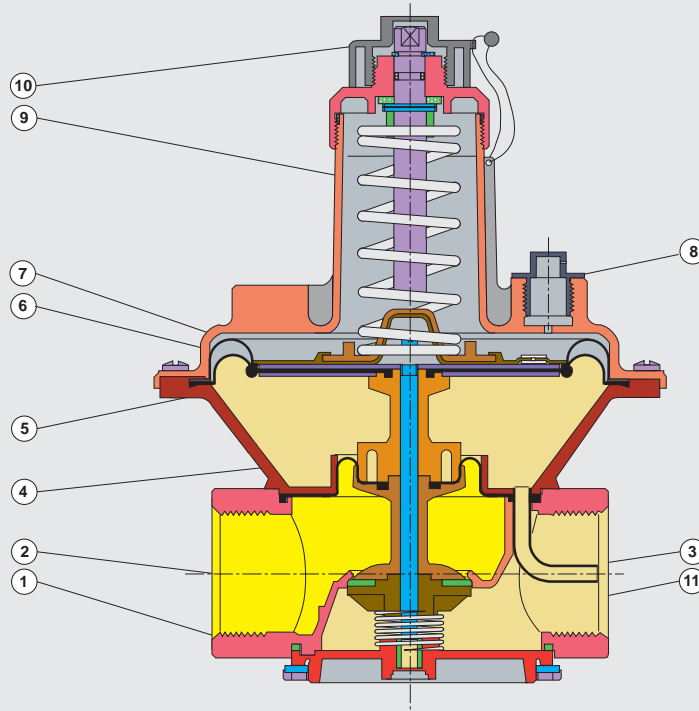


FRG

Zero Governor and Proportionator
Régulateur à zero et proportionnel

DUNGS®

US approved versions according to UL and AGA/CGA (NPT threads as shown)
European approved versions according to CE and EN/DIN (Rp threads only)



- 1 Housing
- 2 Controller plate
- 3 Internal feedback
- 4 Compensation diaphragm
- 5 Diaphragm disc
- 6 Working diaphragm
- 7 Safety diaphragm
- 8 Breathing port
- 9 Setpoint spring
- 10 Adjustment device
- 11 Counter spring

07.1998 MCS

FRG	$P_2 \rightarrow$	1.0"-3.6" wc	2.0"-5.2" wc	2.8"-8.0" wc	4.0"-12" wc	10"-22" wc	12"-28" wc	24"-44" wc	40"-60" wc
Zero Pressure	-1.2"...2.0" wc								
Pression zero	-3.0...5.0 mbar								
with compressed air	... 4.2 PSI	2.5-9 mbar	5-13 mbar	7-20 mbar	10-30 mbar	25-55 mbar	30-70 mbar	60- 110 mbar	100-150 mbar
piloté par air	...300 mbar								

