

Differential pressure switch for air, flue and exhaust gases

AA-A1...

DUNGS[®]
Combustion Controls



Approvals

UL Recognized

- UL 353
- File # MH 16628

CSA Certified

- CSA C22.2 No. 14
- File # 201527

FM Approved

- Class 3510, 3530
- File # J.I. 1T7A8.AF

Commonwealth of Massachusetts Approved Product

- Approval code G3-0106-191
- Air pressure switch for differential, vacuum or pressure

Codes and Standards

This product is recommended for installations covered by but not limited to NFPA 85, NFPA 86, UL 795, CSD-1, ANSI Z83.4, ANSI Z83.18, ANSI Z21.13, and CSA B149.3.

DUNGS is an ISO 9001 manufacturing facility.



Description

AA-A1... differential pressure switches are factory set, compact pressure switches for automatic burner controls. Available with hose connections.

AA-A1... differential pressure switches are suitable for making and/or breaking a circuit when the medium pressure changes relative to the set point.

Application

Differential pressure monitoring in firing, ventilation and air-conditioning systems. The AA-A1... can be used as a pressure, vacuum or differential pressure switch for air and non-aggressive gases. Not suitable for natural gas, propane, butane and other combustible gases.

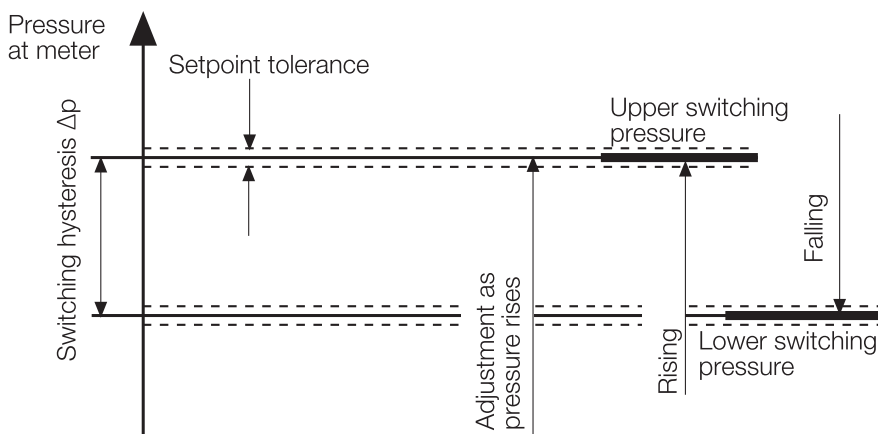
AA-A1... SPDT differential pressure switch in pressure and vacuum ranges. The differential pressure acts via the diaphragm against the force of the setting spring on the micro-switch. The pressure switch operates without any auxiliary power.

Specifications

Max. operating pressure	1.5 PSI (103 mbar)		
Pressure connection	0.16" (4 mm) diameter hose connection		
Temperature range	Ambient temperature	-40 °F to +140 °F (-40 °C to +60 °C)	
	Medium temperature	-40 °F to +140 °F (-40 °C to +60 °C)	
Materials	Housing:	Polycarbonate	
	Switch:	Polycarbonate	
	Diaphragm:	NBR-based rubber	
	Switching contact:	Silver (Ag)	
Electrical ratings	AC eff. min.	24 V	max. 250 V
	DC min.	24 V	max. 48 V
Current ratings	AC 5 A resistive @ 120 VAC		
	AC 2.5 A inductive @ 120 VAC		
	DC min. 20 mA @ 24 VDC		
	DC max. 1 A @ 48 VDC		
Electrical connection	1/4 x 1/32" (6.3 x 0.8 mm) flat male terminals		
Enclosure rating	Standard: No NEMA Type rating (no cover)		
	NEMA Type 1 with 217-045 cover		
	NEMA Type 12 with 225-816 cover		
Setting tolerance	Tolerance as per specification		
Installation position	Any, as per specification. The setting point changes by approx. ± 0.2 in. W.C. if the mounting position is different than the setting position.		

Definition of switching hysteresis Δp

The pressure difference between the upper and lower switching pressures.



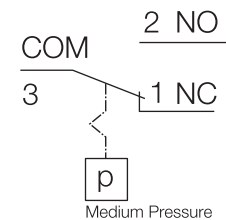
AA-A1... switching function

As pressure rises:

1 NC opens, 2 NO closes

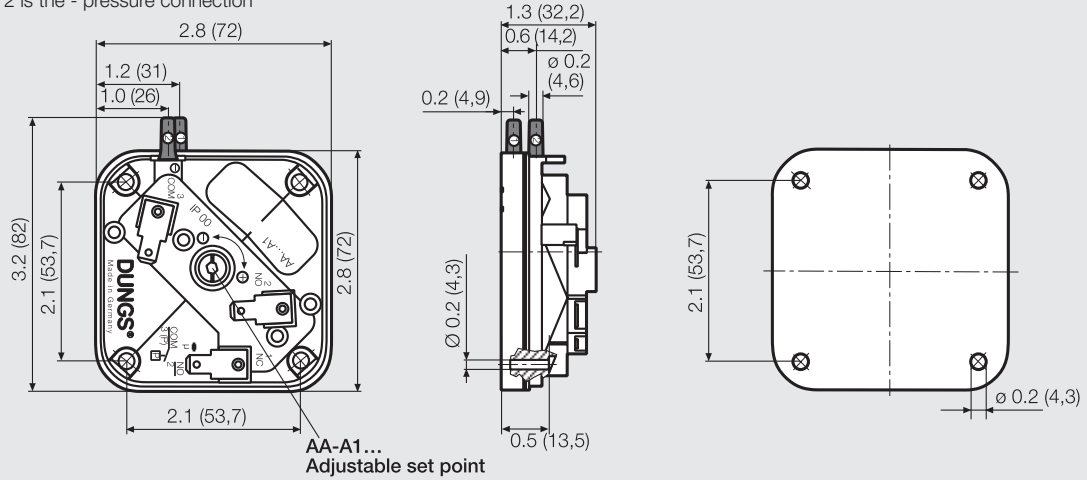
As pressure falls:

1 NC closes, 2 NO opens



Dimensions inch (mm)

1 is the + pressure connection
2 is the - pressure connection

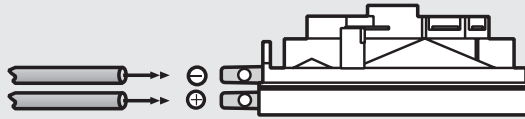


Height with NEMA Type 12 cover: 1.80 (45,6)

Pressure connection

Connection p2 (-) = lower pressure

Connection p1 (+) = higher pressure



**Differential pressure switch
for air, flue and exhaust gases**

AA-A1...



Type	Version	Description	Order No.	Factory setting range in. W.C.	Switching hysteresis in. W.C.
AA-A1-0-...	AA-A1-0-2	No cover	216-788A	0.16 - 1.2	≤ 0.14
	AA-A1-0-3	No cover	216-752A	0.4 - 4	≤ 0.20
	AA-A1-0-4	No cover	216-867A	1 - 20	≤ 0.40
AA-A1-3-...	AA-A1-3-2	Includes NEMA Type 12 cover and 1/2 NPT conduit connection	216-788CA	0.16 - 1.2	≤ 0.14
	AA-A1-3-3	Includes NEMA Type 12 cover and 1/2 NPT conduit connection	216-752CA	0.4 - 4	≤ 0.20
	AA-A1-3-4	Includes NEMA Type 12 cover and 1/2 NPT conduit connection	216-867CA	1 - 20	≤ 0.40

Accessories for pressure switch

Order No.

NEMA Type 1 Cover	217-045	 Shown with NEMA Type 1 Cover
NEMA Type 12 cover with 1/2 NPT conduit connection	225-816	
Mounting plate (flat plastic)	230-301	



We reserve the right to make any changes in the interest of technical progress.

Karl Dungs Inc.
524 Apollo Drive, Suite 10
Lino Lakes, MN 55014, U.S.A.
Phone 651 792-8912
Fax 651 792-8919
e-mail info@karldungsusa.com
Internet http://www.dungs.com/usa/

Karl Dungs GmbH & Co. KG
P.O. Box 12 29
D-73602 Schorndorf, Germany
Phone +49 (0)7181-804-0
Fax +49 (0)7181-804-166
e-mail info@dungs.com
Internet http://www.dungs.com