

# Dual Modular Safety Safety Shutoff Valves with Vent Line Adapter

**DMV/6x2 Series**  
**DMV/6x4L Series**  
**DMV-ZR/6x2 Series**

**DUNGS®**  
Combustion Controls



**Two normally closed safety shutoff valves in one housing; each with the following approvals.**

#### UL Recognized

- UL 429
- File # MH16727

#### CSA Certified

- ANSI Z21.21 • CSA 6.5
- Marked C/I
- File # 157406

#### FM Approved

- Class 7411
- Report # J.I.1Z6A0.AF

#### Commonwealth of Massachusetts Approved Product

- Approval code G1-1107-35
- Gas Safety Shutoff Valve

#### US and Canadian Models

- DMV-D 701/6x2, 7x2/602, and 703/6x2
- DMV-DLE 701/6x2, 702/6x2, and 703/6x2
- DMV-D 7x2/6x4 and 703/6x4
- DMV-DLE 702/6x4 and 703/6x4
- DMV-ZRD 701/6x2, 7x2/602, and 703/6x2
- DMV-ZRDLE 701/6x2, 702/6x2, and 703/6x2
- Main gas connections available:  
1/2 in. NPT - 2 in. NPT

#### Codes and Standards:

This product is intended for installations covered by but not limited to NFPA 86, ANSI Z83.4, ANSI Z83.18, ANSI Z21.13, or CSA B149.3.

**DUNGS is an ISO 9001  
manufacturing facility.**



#### Description

The Dual Modular Valves with Vent Line Adapter (DMV-VLA) combines two safety shutoff valves in one compact housing with a factory installed vent line connection between the two safety valves.

- DMV-D series contain two fast opening and fast closing safety shutoff valves, and max. flow adjustment to vary the flow.
- DMV-DLE series have an extra feature. Valve two is a slow-opening valve.
- DMV valves ending /622, /624L and /612 have proof of closure.
- DMV valves ending in L are rated as NEMA Type 4.
- DMV ZR series valves have two stage operation.

Directly mounting the following accessories creates a compact valve train without additional piping:

- Pressure regulator
- High and low gas pressure switches
- Valve proving system
- DMK Butterfly control valve

#### Application

The DMV-VLA is recommended for industrial and commercial heating applications that require two safety shutoff valves with a vent line connection between the safety shutoff valves. The DMV-VLA is suitable for natural gas, propane, butane, air and inert gases.

<b>Type</b>	<b>Order # for 110-120 VAC 50-60 Hz</b>	<b>Type with proof of closure</b>	<b>Order # for 110-120 VAC 50-60 Hz</b>
<b>DMV-D VLA 701/602</b>	224-842V	<b>DMV-D VLA 701/622</b>	243-761VP
<b>DMV-D VLA 702/602</b>	224-843V	<b>DMV-D VLA 702/622</b>	230-791VP
<b>DMV-D VLA 703/602</b>	224-844V	<b>DMV-D VLA 703/622</b>	230-793VP
<b>DMV-DLE VLA 701/602</b>	224-845V	<b>DMV-DLE VLA 701/622</b>	244-000VP
<b>DMV-DLE VLA 702/602</b>	228-223V	<b>DMV-DLE VLA 702/622</b>	230-792VP
<b>DMV-DLE VLA 703/602</b>	224-847V	<b>DMV-DLE VLA 703/622</b>	230-794VP

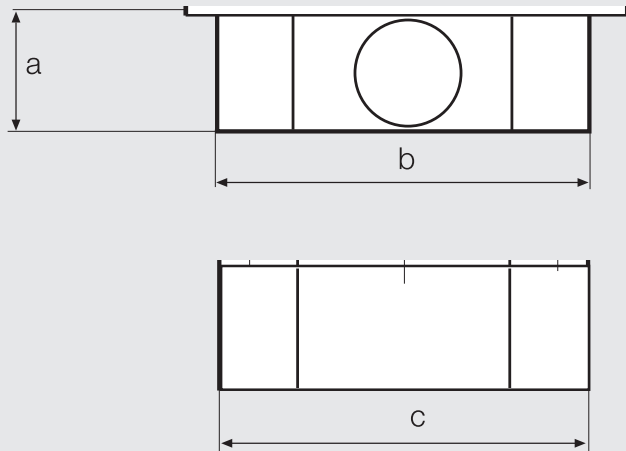
<b>Type with NEMA Type 4 enclosure</b>	<b>Order # for 110-120 VAC 50-60 Hz</b>	<b>Type with proof of closure and NEMA Type 4 enclosure</b>	<b>Order # for 110-120 VAC 50-60 Hz</b>
<b>DMV-D VLA 702/604L</b>	240-610V	<b>DMV-D VLA 702/624L</b>	240-610VP
<b>DMV-D VLA 703/604L</b>	241-436V	<b>DMV-D VLA 703/624L</b>	241-436VP
<b>DMV-DLE VLA 702/604L</b>	240-805V	<b>DMV-DLE VLA 702/624L</b>	240-805VP
<b>DMV-DLE VLA 703/604L</b>	241-435V	<b>DMV-DLE VLA 703/624L</b>	241-435VP

<b>Type with two stage operation</b>	<b>Order # for 110-120 VAC 50-60 Hz</b>	<b>Type with proof of closure and two stage operation</b>	<b>Order # for 110-120 VAC 50-60 Hz</b>
<b>DMV-ZRD VLA 701/602</b>	231-844V	<b>DMV-ZRD VLA 701/612</b>	231-844VP
<b>DMV-ZRD VLA 702/602</b>	232-025V	<b>DMV-ZRD VLA 702/612</b>	232-025VP
<b>DMV-ZRD VLA 703/602</b>	232-025V	<b>DMV-ZRD VLA 703/612</b>	232-025VP
<b>DMV-ZRDLE VLA 701/602</b>	232-173V	<b>DMV-ZRDLE VLA 701/612</b>	232-173VP
<b>DMV-ZRDLE VLA 702/602</b>	232-214V	<b>DMV-ZRDLE VLA 702/612</b>	232-214VP
<b>DMV-ZRDLE VLA 703/602</b>	232-232V	<b>DMV-ZRDLE VLA 703/612</b>	232-232VP

**Dual Modular Safety  
Shutoff Valves  
With Vent Line Adapter**



**Dimensions**



• The DMV 701 with VLA has a 3/4" NPT connection on both sides of the valve.

• The DMV 702/703 with VLA has a 1" NPT connection on both sides of the valve. A 1" to 3/4" reducer is required when a 3/4" vent valve is used.

 VLA connection is perpendicular to main gas flow

Valve body Size	Dimension of Vent Line Adapter as mounted to DMV valve[inch]* Dimension of Vent Line Adapter as mounted to DMV valve[mm]*			Threaded connection in Vent Line Adapter
	a	b	c	
<b>DMV 701</b>	<b>1.8</b> 46	<b>2.8</b> 71	<b>2.8</b> 71	3/4" NPT
<b>DMV 702</b>	<b>2</b> 50	<b>4</b> 100	<b>4</b> 100	1" NPT
<b>DMV 703</b>	<b>2</b> 50	<b>4</b> 100	<b>4</b> 100	1"NPT

\*Refer to valve sales brochure to determine dimensions of specific valve body, and add the dimensions shown above.

**Vent Line Connection**

Certain codes and authorities having jurisdiction specify the size of the vent line based on the main gas line diameter. Typical requirements are:

- For main gas lines up to 1 1/2"; the vent line must be 3/4" minimum.
- For a 2" main gas line; the vent line must be 1" minimum.

We reserve the right to make any changes in the interest of technical progress.

**Karl Dungs Inc.**  
524 Apollo Drive, Suite 10  
Lino Lakes, MN 55014, U.S.A.  
Phone 651 792-8912  
Fax 651 792-8919  
e-mail info@karldungsusa.com  
3 ... 3 Internet http://www.dungs.com/usa/

**Karl Dungs GmbH & Co. KG**  
P.O. Box 12 29  
D-73602 Schorndorf, Germany  
Phone +49 (0)7181-804-0  
Fax +49 (0)7181-804-166  
e-mail info@dungs.com  
Internet http://www.dungs.com