

**Gas and air filter**  
**GF / 1**  
**Rp 1/2 - Rp 2**

11.02

**DUNGS®**



**Technical description**

Filter for interior gas lines as per DIN 3386 with high dust storage capacity.

Maximum recommended pressure difference:  
10 mbar.

Installation option for pressure measurement point for filter monitoring.

**Application**

Type GF/1 gas and air filter for protecting downstream fittings. Filter suitable for gases of families 1,2,3 and other neutral gaseous media.

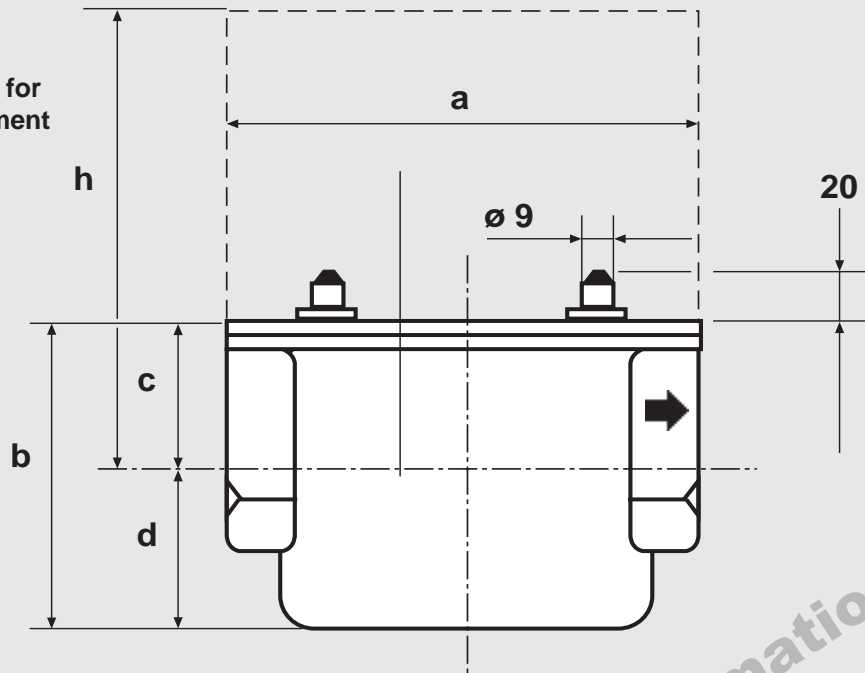
**Approvals**

EC type test approval as per EC Gas Appliance Directive:  
GF.../1 CE-0085 AQ0121  
Approvals in other important gas consuming countries.



## Dimensions (mm)

**h** Space requirement for changing filter element



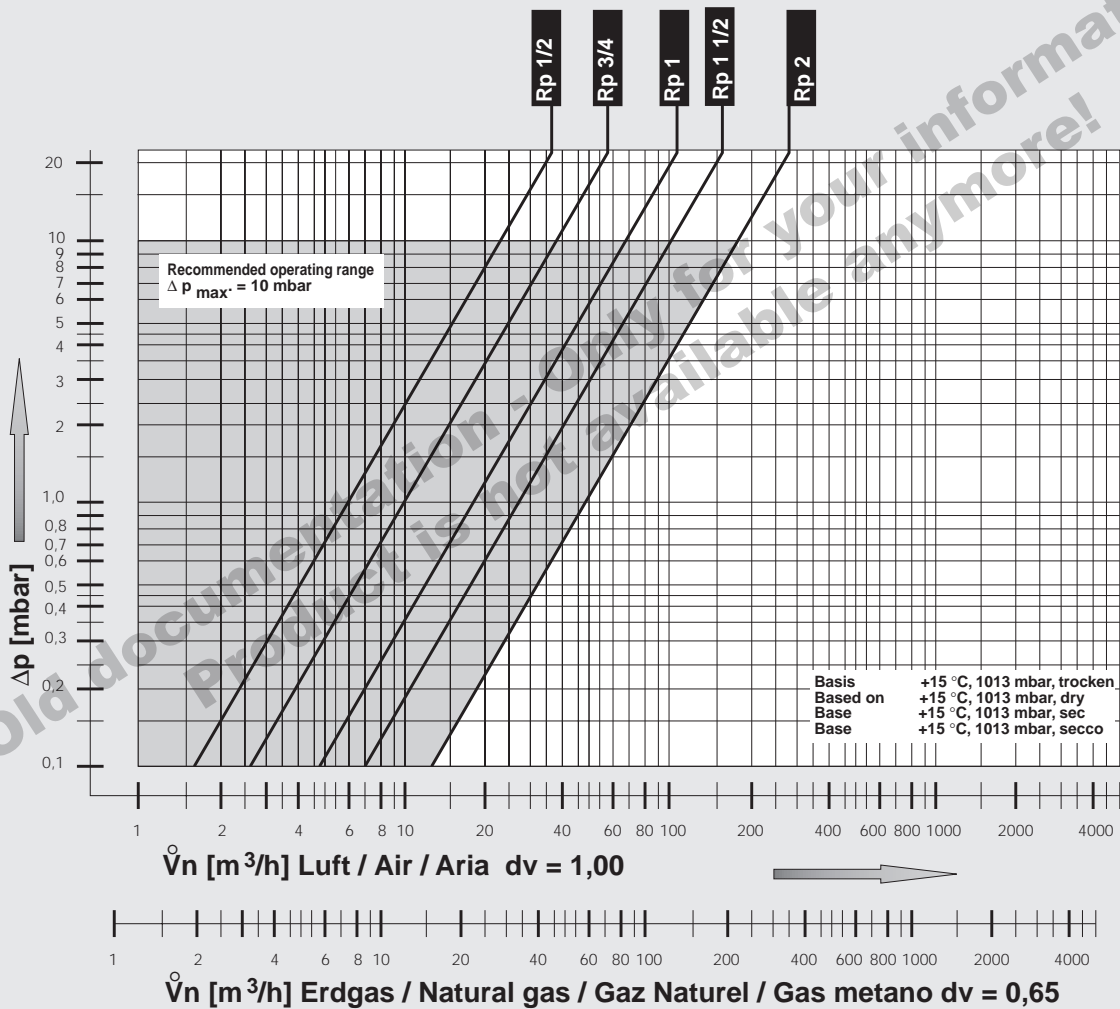
Type	Order No.	Max. operating pressure [bar]	connection Rp	Dimensions [mm]					Weight [kg]
				a	b	c	d	h	
GF 505/1	066 191	0.5	Rp 1/2	120	90	35	55	125	0.7
GF 507/1	066 209	0.5	Rp 3/4	120	90	35	55	125	0.7
GF 510/1	066 217	0.5	Rp 1	160	105	54	51	159	1.1
GF 515/1	066 225	0.5	RP 1 1/2	160	105	54	51	159	1.1
GF 520/1	066 233	0.5	Rp 2	186	140	75	65	215	1.9
GF 4005/1	228 073	4.0	Rp 1/2	120	90	35	55	125	0.7
GF 4007/1	228 074	4.0	Rp 3/4	120	90	35	55	125	0.7
GF 4010/1	228 075	4.0	Rp 1	160	105	54	51	159	1.1
GF 4015/1	228 076	4.0	Rp 1 1/2	160	105	54	51	159	1.1
GF 4020/1	228 077	4.0	Rp 2	186	140	75	65	215	1.9

Gas and air filter

GF / 1  
Rp 1/2 - Rp 2

DUNGS®

Volumetric flow/pressure drop characteristic



We reserve the right to make any changes in the interest of technical progress.

Head Offices and Factory  
Karl Dungs GmbH & Co. KG  
Siemensstraße 6-10  
D-73660 Urbach, Germany  
Telephone +49 (0)7181-804-0  
Telefax +49 (0)7181-804-166

Postal address  
Karl Dungs GmbH & Co. KG  
Postfach 12 29  
D-73602 Schorndorf, Germany  
e-mail info@dungs.com  
Internet www.dungs.com